



BA-PHALABORWA MUNICIPALITY
MEMORANDUM
BUDGET AND TREASURY

TO : Prospective Service Provider
FROM : SCM /STORES
DATE : 08/04/2026
ENQUIRIES : STORES
TELEPHONE : 015 780 6404/2
REF : RFQ10100

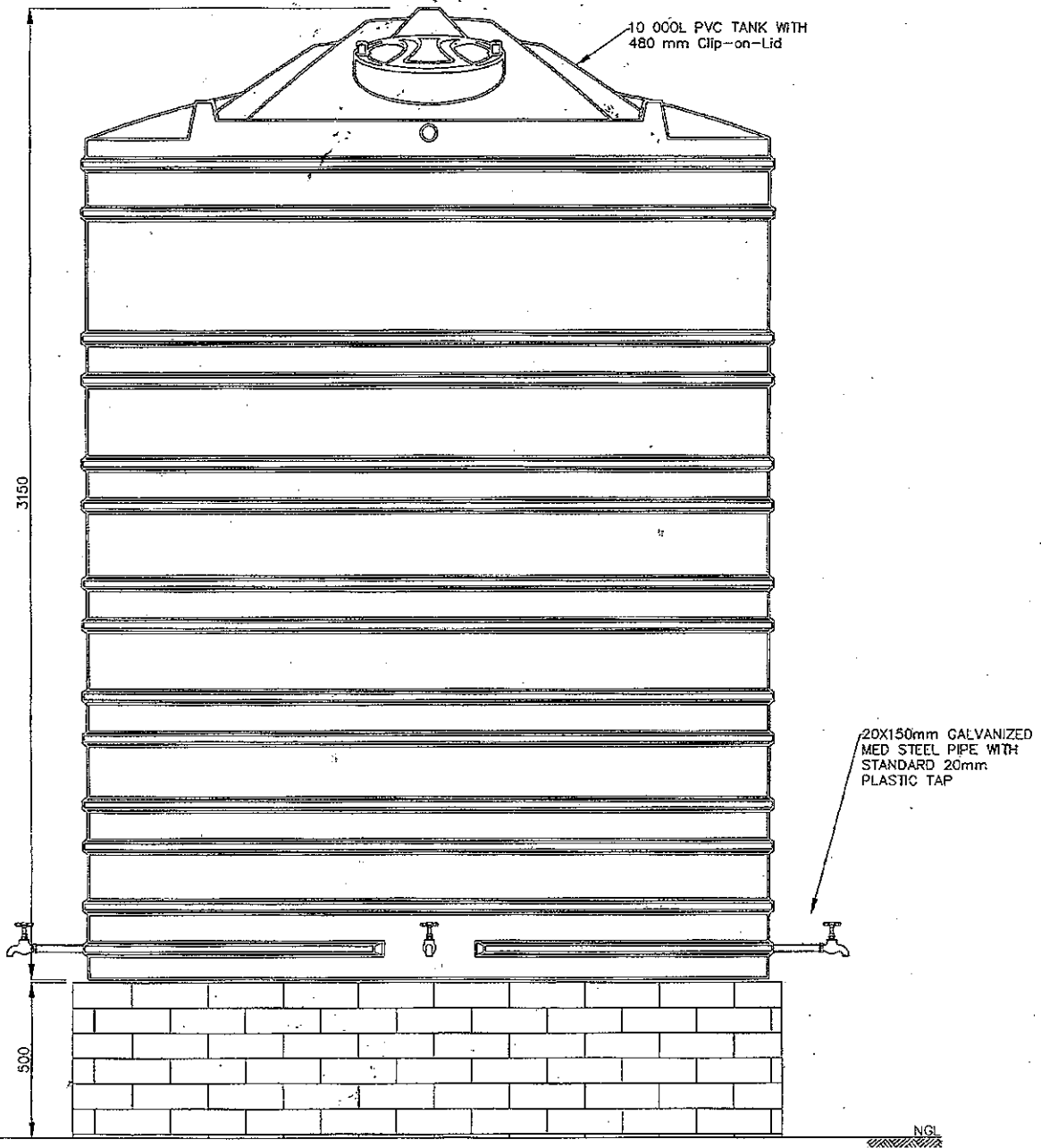
Kindly furnish this office with a written quotation for supply of goods/ services as detailed below. The quotation must be submitted on the letterhead of your Business and Brought to our offices 3 Nyala Street, Phalaborwa not later than **16/04/2026 at 12H00**

| QUANTITY | Description | PRICE/UNIT (Inc. VAT) | DELIVERY PERIOD |
|----------|--|--------------------------|--------------------|
| 15 | Construction of 10KL Jojo tank platform | | |
| | Supply materials and build as per attached specification and drawing | | |
| | NB: Contractor to be CIDB (grade 1) Registered | | |
| | | | |
| | | | |
| | | | |
| | | | |
| | | | |
| | | | |


Please number your quotes (Your Ref no)

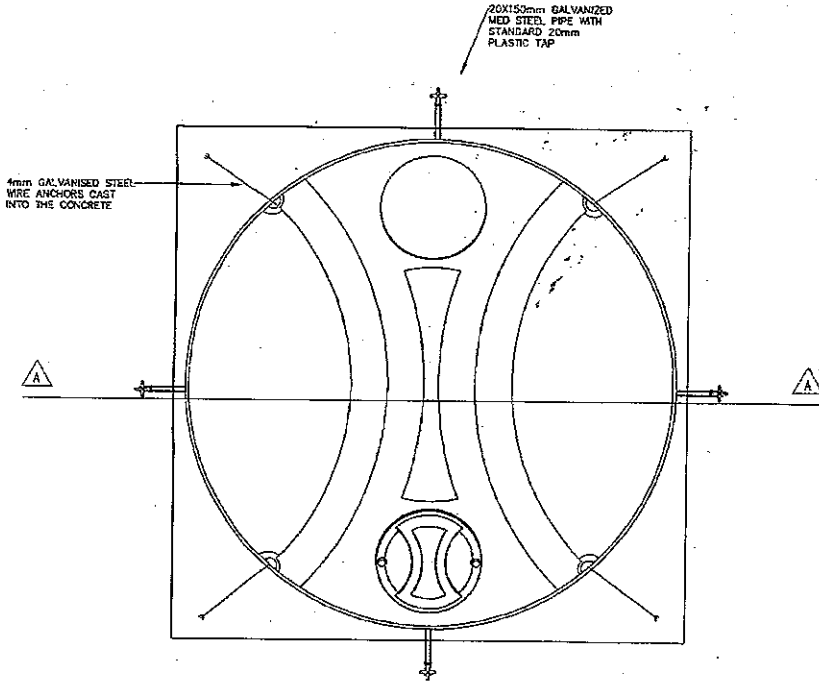
The following conditions will apply:

- Price (s) quoted must be valid for at least thirty (30) days from date of your offer.
- The municipality retains the prerogative to reject any quotes it deems to be excessive
- A firm delivery period must be indicated.
- Tax Clearance Pin
- A service provider be registered with central supplier database (CSD)
- Completed MBD4 (Declaration of Interest) Form
- Evaluation criteria: 80/20 (Whereby 80 is for price and 20 is for Objective goals)
20 is further evaluated : 20 for 100% Black owned;
18 for at least 51% Black owned; and
14 for Less than 51% Black owned



10ki PVC TANK ON MASONRY STAND

| | | | | | |
|-----|------|-----|-----|-------------|---|
| | | | | CLIENT | MUTEO CONSULTING |
| | | | | |  |
| REV | DATE | CHK | APP | DESCRIPTION | |
| | | | | | |
| | | | | | |
| | | | | | |



PLAN VIEW

1. GENERAL NOTES

- 1.1. All work to be done in accordance with the National Building Regulations and the relevant SABS Specifications.
- 1.2. All drawings to be read in conjunction with supplier drawings and any discrepancies must be reported to the Engineer prior to any setting out of work.
- 1.3. No structural alterations are to be made without amended drawings.
- 1.4. All drawings must be checked by the Contractor and any discrepancies should be reported to the Engineer before any work commences.
- 1.5. Contractor to ensure that stability of banks and excavations are continuously maintained throughout the construction period.

2. CONCRETE WORKS

- 2.1. No concrete is to be poured before the Engineer has inspected and approved the fixing of the reinforcement, - 48 hours notice is required.
- 2.2. Breaks in concrete and construction joints are to be made only with Engineer's approval.
- 2.3. Shuttering and propping may be struck only after the lapse of the following times (in days):
 Beam sides, walls and unloaded columns: 2
 Slab soffits without removal of slab props: 4
 Beam soffits without removal of beam props: 7
 Props unloaded slabs: 10
 Props unloaded beams: 14
- 2.4. Concrete cube strength at 28 days - 20MPa
- 2.5. All floor levels, unless otherwise indicated, are structural slab levels.
- 2.7. Special attention to be given to curing of concrete. Exact details to be discussed with Engineer on site prior to pouring of any concrete.

3. FOUNDING

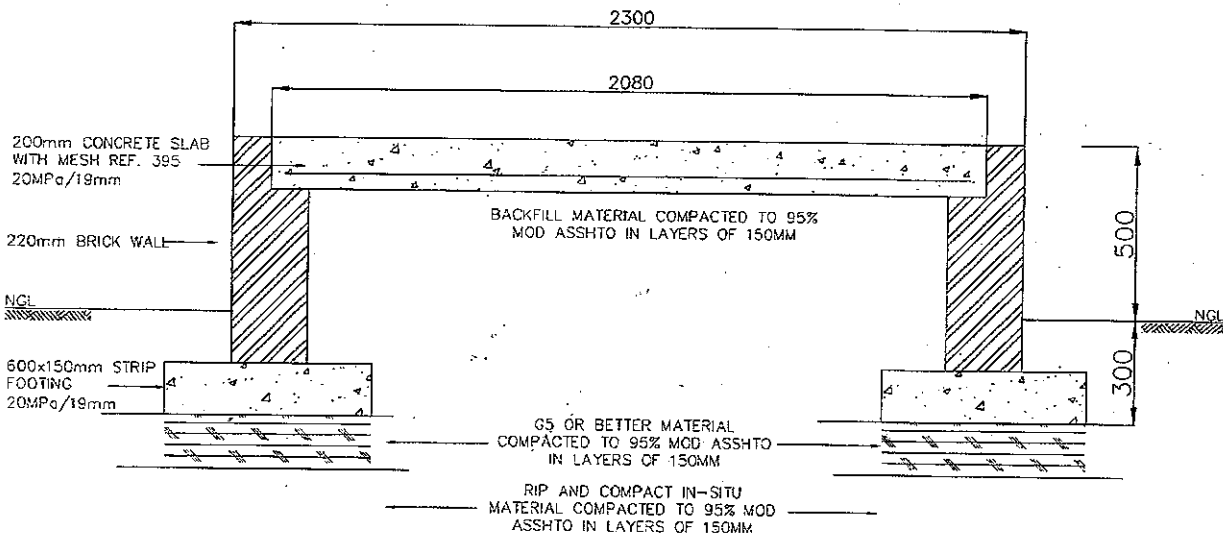
- 3.1. Foundations are subject to alterations as excavations proceed.
- 3.2. No foundations are to be cast in bases until excavations have been approved by an Engineer.
- 3.3. All backfill material under foundations and floors to be as follows:
 G5 Material or better
 P1 + 6
 Compacted to 95% MOD AASHTO in layers of 150mm
 Non-cohesive and free draining

4. BRICKWORK

- 4.4. All brickwork to have a minimum compressive strength of 10MPa.
- 4.5. A construction joint sealed with suitable flexible sealant is to be formed at all junctions between new brickwork and existing brickwork.

5. COMPLETION CERTIFICATE

- 5.1. No completion certificate shall be issued if all material and compaction test results are not submitted to the Engineer.



SECTION A-A

39 GROBLER STREET
 POLOKWANE 0699
 P.O. BOX 6196
 POLOKWANE NORTH
 0750
 TEL : (015) 291 4065
 FAX : (015) 291 4043
 website: www.muteo.co.za

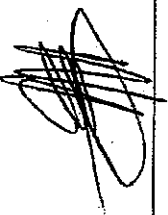
| PROJECT APPR. | DATE | BY | SIGNATURE |
|---------------|------------|-----|-----------|
| DESIGNED | 02/04/2020 | V.M | |
| CHECKED | 02/04/2020 | J.M | |
| DRAWN | 02/04/2020 | V.M | |
| PROJECT MNG. | | | |
| APPROVED | | | |
| CLIENT | | | |

| | |
|-----------------------------|----------------------------------|
| SCALE | DO NOT SCALE IF IN DOUBT ASK. |
| PROJECT No. LNW 31/19/20 | |
| DRG SIZE | A1 |

TITLE
 INSTALLATION OF 10KL WATER
 TANKERS IN LIMPOPO
 TANK PLATFORM SPECIFICATIONS
 DRAWING No. LNW/C-S/01

BOQ FOR CONSTRUCTION OF 10KL JOJO TANK PLATFORM

| ITEM | DESCRIPTION | UNIT | QTY | RATE | AMOUNT |
|------|--|------|-------|------|--------|
| 1 | PRELIMINARIES & GENERAL | | | | |
| | a) Allowance for site establishment | Item | 1 | | |
| | SITE CLEARANCE, EXCAVATIONS, CONC AND BRICKWORK | | | | |
| 2 | Clear site and remove all veges, shrubs etc | m2 | 6,25 | | |
| 3 | Excavations to trenches of foundations n.e 0.5m deep and 600mm width | m2 | 1,656 | | |
| 4 | Cast concrete to strip footing of 600mm x 150mm with 19mm concrete/20Mpa | m3 | 0,83 | | |
| 5 | Counstruction of 220mm width brickwall, bricks to have a minimum compressive strength of 10Mpa | m2 | 6 | | |
| 6 | Fill material under foundations and floors to be as follows: G6 Material or better Pl < 6 Compacted to 95% MOD AASHTO in layers of 150mm Non-cohesive and free draining | m3 | 1,56 | | |
| 7 | 2000mm Thick concrete slab with REF 395 Mesh | m3 | 0,86 | | |
| 8 | 4mm Galvanised wire cast into concrete slab | no | 4 | | |



Total

JOJO TANKS LOCATIONS TO BE CONSTRUCTED

| | |
|----|---------------------------------------|
| 1 | LOCATION |
| 2 | Mech W/shop - Ablution - Male |
| 3 | Mech W/shop - Mech Section |
| 4 | Traffic Department |
| 5 | Fire Department |
| 6 | Stores Department |
| 7 | Main Office |
| 8 | Parks Offices |
| 9 | Lulekani WWTW |
| 10 | Namakgate WWTW |
| 11 | Memorial Prescint |
| 12 | Leboneng Library |
| 13 | Lulekani Library |
| 14 | Municipal Lapa and Sports Hall |
| 15 | Bollanoto |

